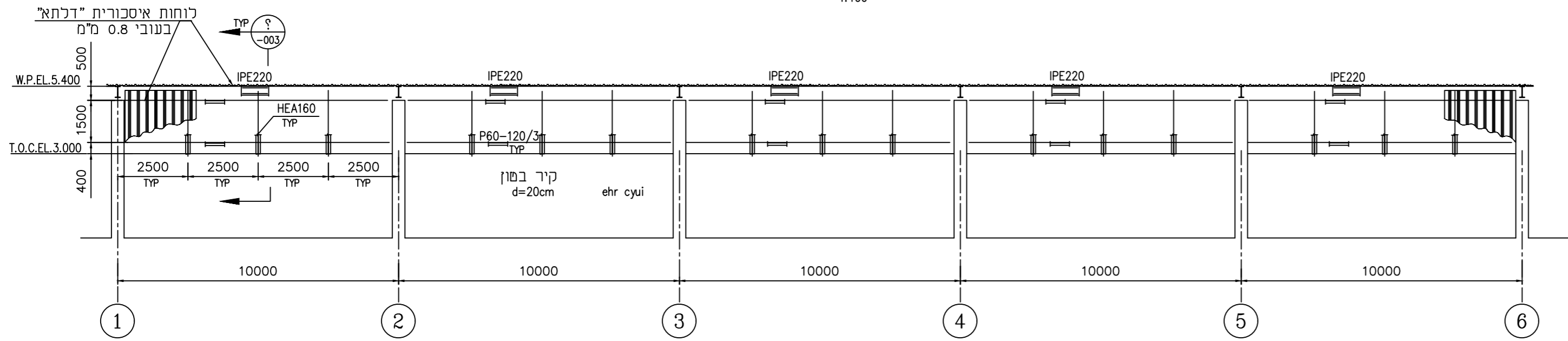
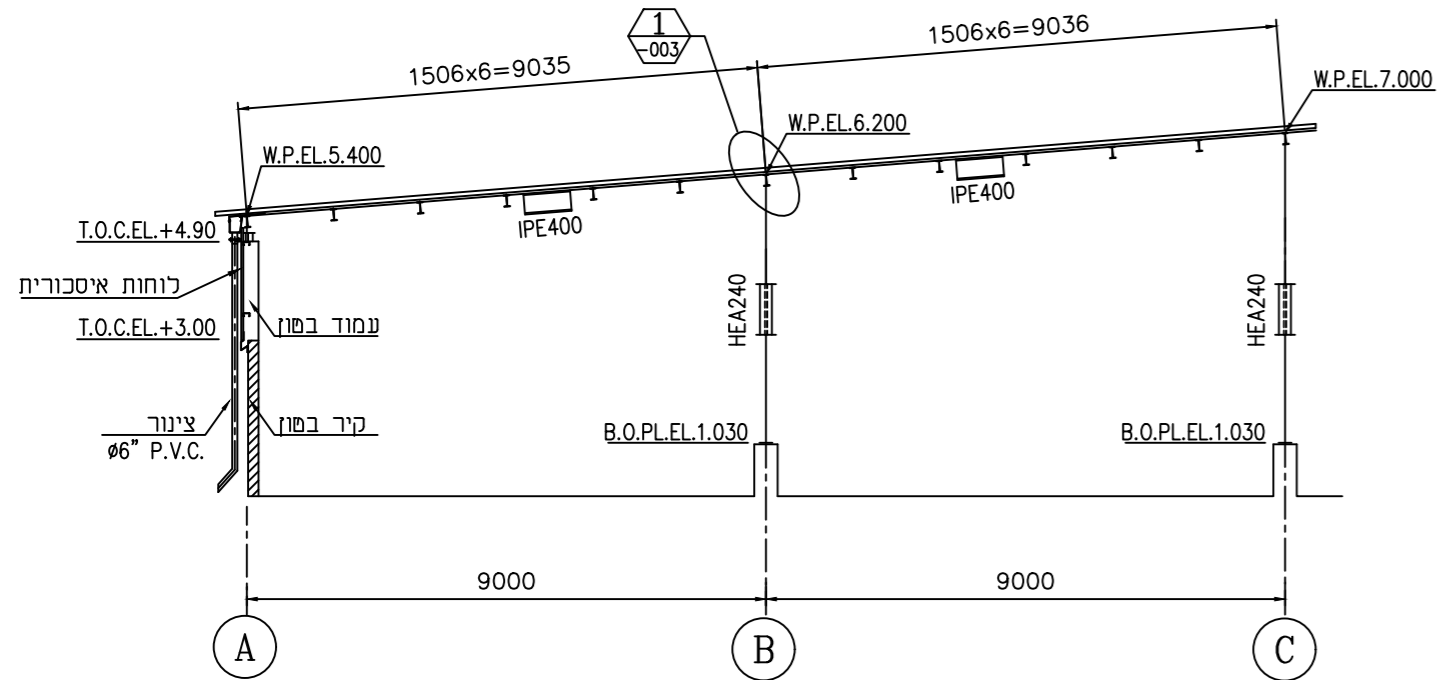


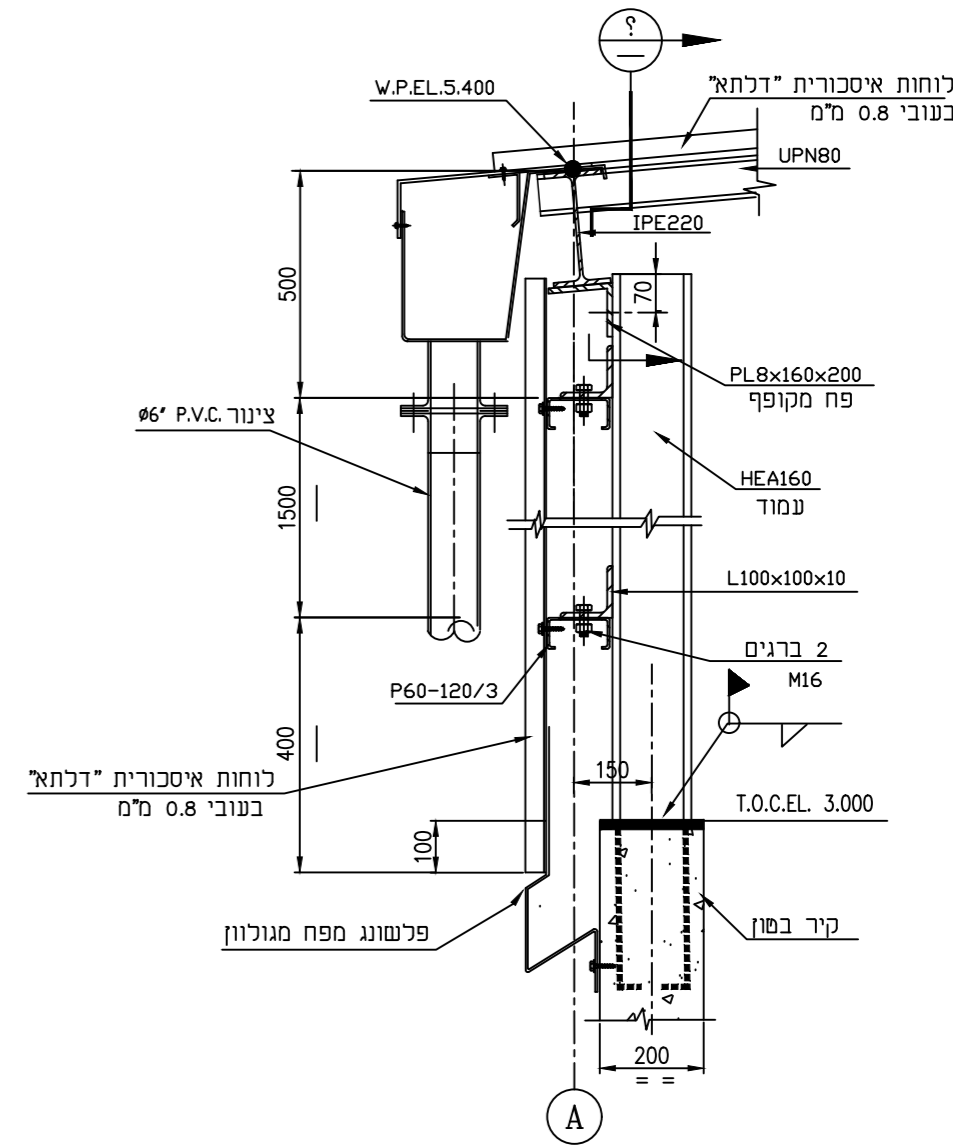
חתך בצירים B ו C
1:100



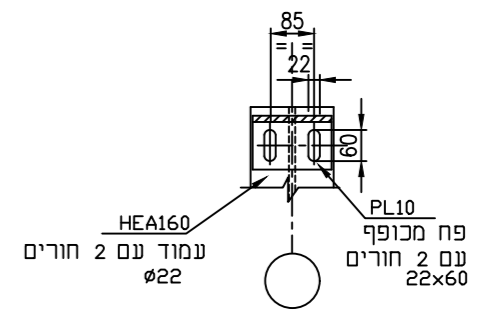
חתך בצירים A
1:100



חזית בצירים 1 ÷ 6
1:100



1:10



1:10

12358-S-001 vgru, fkhhu, urahn, junrho rtv awr

BATEMAN
BATEMAN ENGINEERING LTD.
P.O.B. 1214 BEER-SHEVA 84111
TEL. 08-690911 FAX. 08-6909888
ISRAEL

303.20 = ±0.00

JOB. No. 12358	APPROVED	DATE	SIGN
CLIENT APPROVAL	DEPT. MECH.	DATE	SIGN
SIGN.	MECH.	DSGN.	08.05.03
	PIPING	CHK.	19.06.03
DATE	ELECT.	APPRV.	19.06.03

APP. FOR CONST.	INSTR.		
SIGN.	CIVIL		
DATE	PROCESS		

Scale: xff, tjxui
SHEET 2 OF 3
STATUS: 0

DRG NUMBER	TITLE
12358-S-003	pryho/
12358-S-001	,fbh, dd

DRG NUMBER	TITLE
12358-S-003	pryho/
12358-S-001	,fbh, dd

REVISIONS	No	DATE	DESCRIPTION	BY	CHK.	APP.
	0	19.06.03	kchmug	J.L.	L.H.	M.BR.
	1	19.06.03	kvgru,qkthaurk	J.L.	L.H.	M.BR.